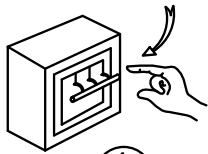
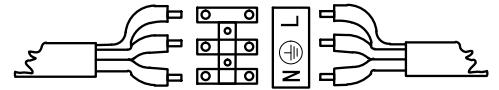


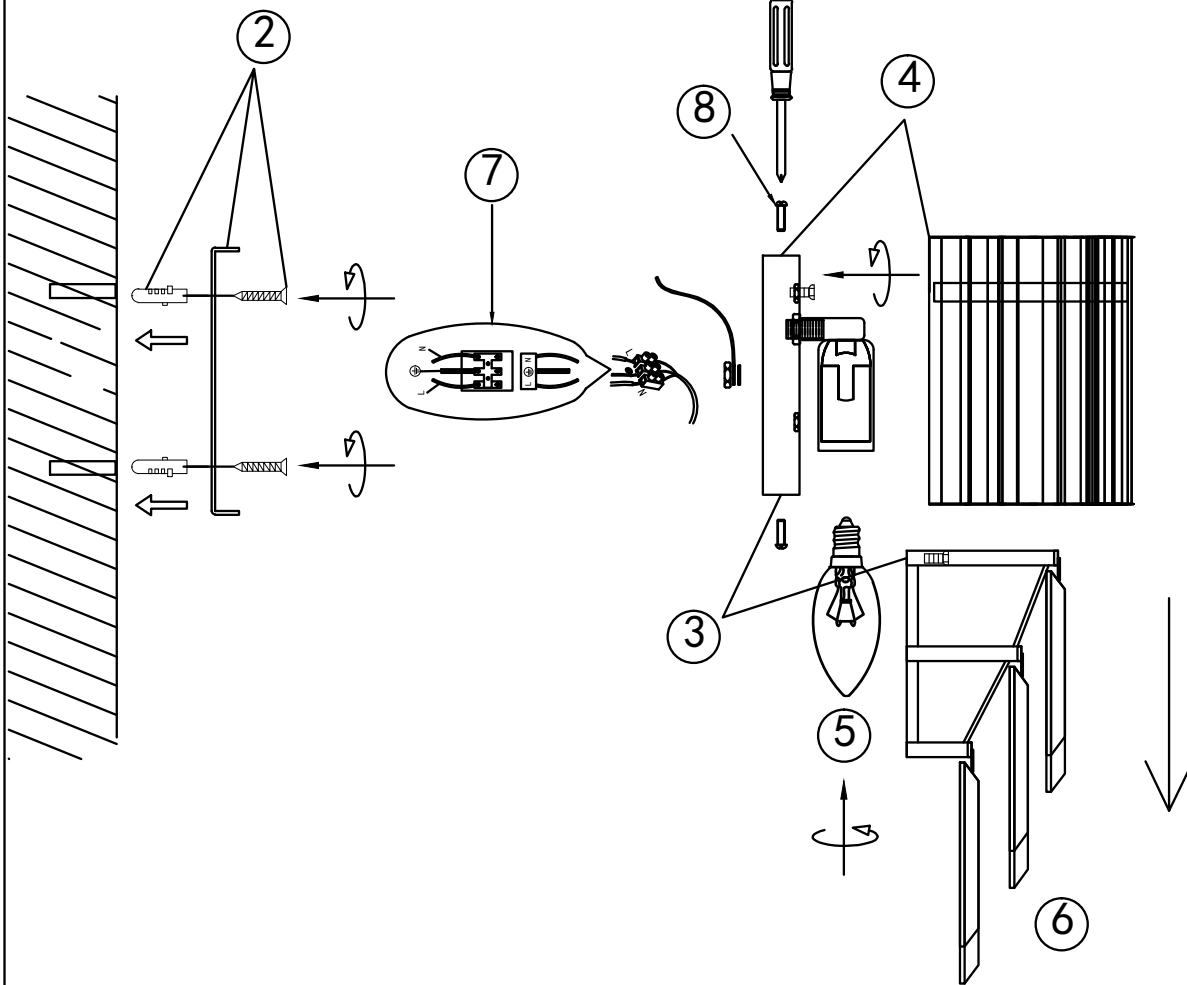
OFF



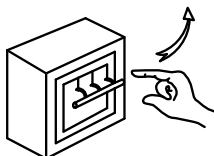
1



9

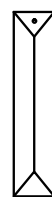


ON



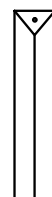
10

22\*100



9pcs

22\*120



9pcs